



User Guide

EVB-ATEK175BP3-01

Document Code : 023-115201
Revision No : 01
Revision Date : 30/10/2024

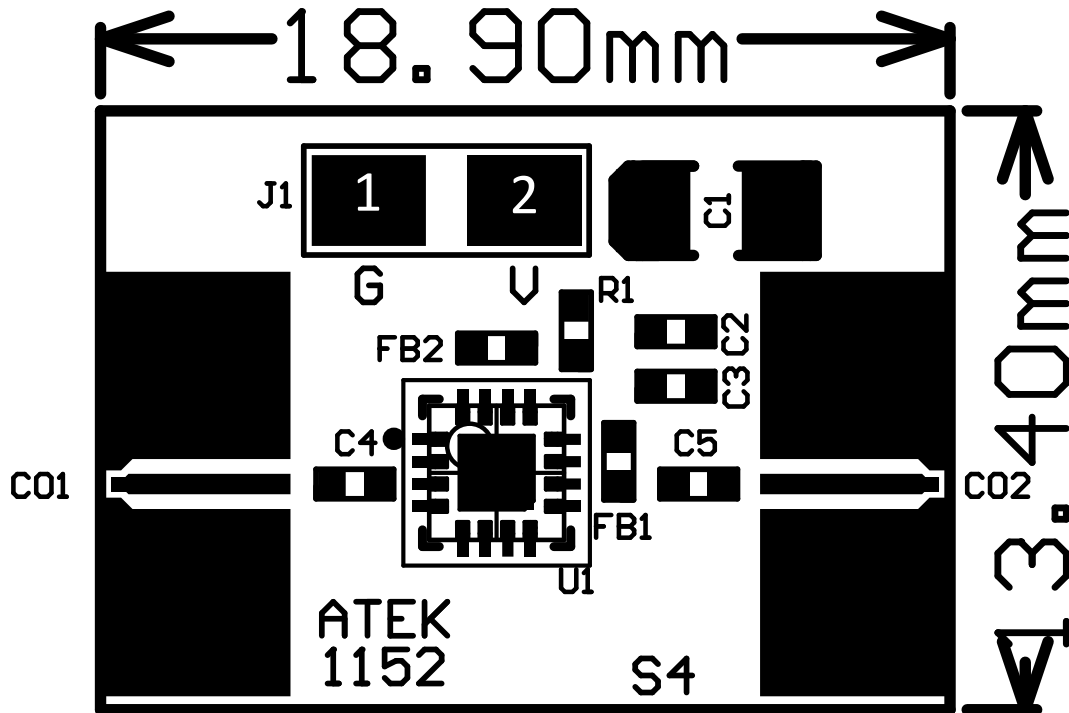
Revisions

Revision No	Revision Date	Revision Reason	Section / Page No
1.0	30.10.2024	Initial Release	

INDEX

1	GENERAL INFORMATION	3
2	DESIGN INFORMATION	4
2.1	SCHEMATIC	4
2.2	BOM	4

1 GENERAL INFORMATION



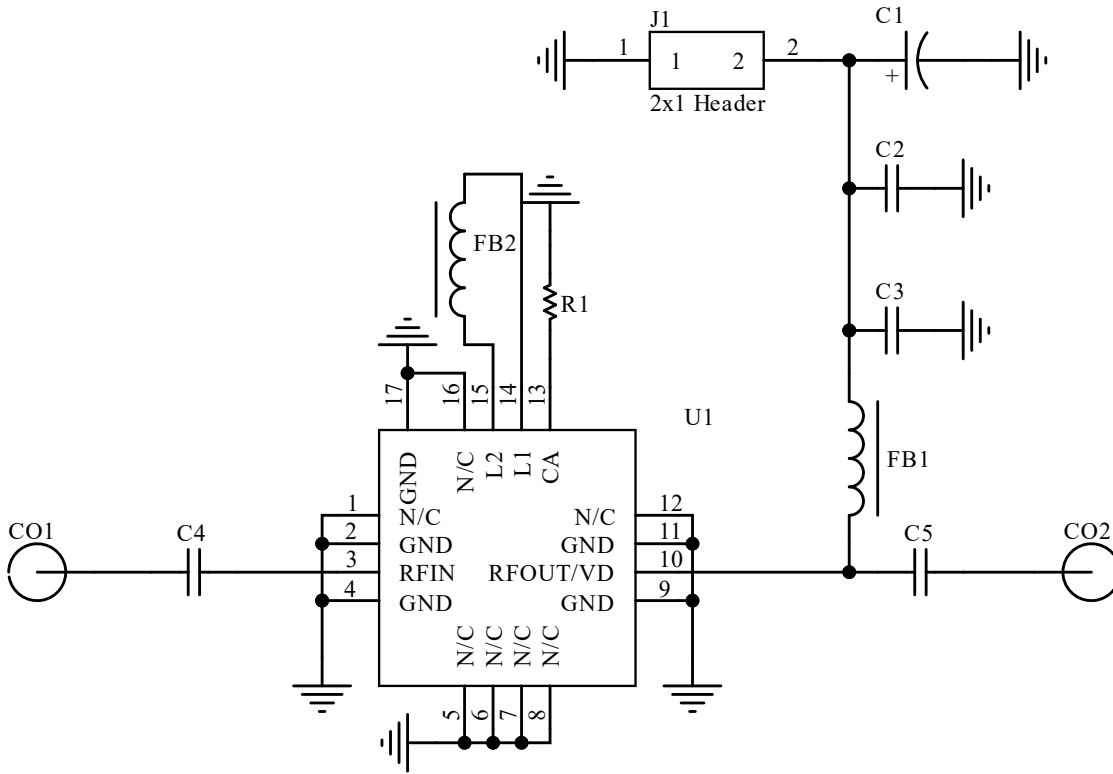
PIN Name	Definition	Comment
CO1	RF IN	SMA Connector
CO2	RF OUT	SMA Connector
J1.1	GND	2.54mm Header
J1.2	VDD	2.54mm Header

Notes:

1. Refer to the datasheet for VDD Voltage details.

2 DESIGN INFORMATION

2.1 SCHEMATIC



2.2 BOM

Designator	Footprint	Qty	Comment	PN
C1	CASEA	1	2.2uF	
C2	0402	1	10nF	
C3	0402	1	100pF	
C4, C5	0402	2	100nF	
CO1, CO2	SMA Connector	2	SMA Connector	
FB1, FB2	0402	2	Ferrite Bead	
J1	2x1 Header	1	2x1 Header	
R1	0402	1	DNP for Configuration A OR for Configuration B	
U1	ATEKQ3316	1	LNA	ATEK175BP3